

Product Specification

PRODUCTS IMAGES



PRODUCT FEATURES:

Type: Shower set
 Code: RB.TGN.0BS242.AB.PC
 Material: Brass hander / brass hose/ plastic handshower
 Finishing: Chrome

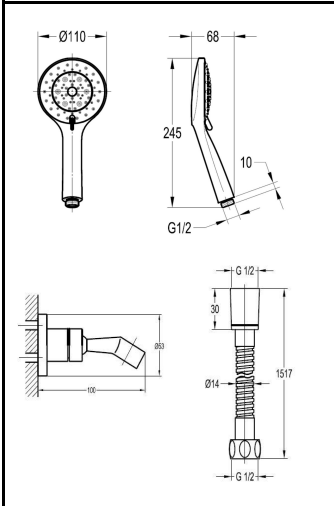
Components included:

- * 5-function plastic handshower
- * easy clean shower spray
- * universal rotating brass shower holder
- * 150cm brass shower hose 1/2"

FLOW RATE:L/MIN

Water pressure	1bar	2bar	3bar	4bar	5bar
Function 1	6.5	9.9	12.4	14.8	16.6
Function 2	9.5	14.3	17.9	21.1	23.6
Function 3	8.7	13.3	16.4	19.5	22.0
Function 4	4.9	7.3	9.0	10.6	11.7
Function 5	8.4	12.8	16.1	18.9	21.3

TECHNICAL DRAWING



REMARKS:

- * Plating thickness passes AASS 24H test under lab conditions;

WARRANTY:

ROCELL BATHWARE guarantees all its Chrome plated ranges of mixers and taps for a period of 5 years and accessories 2 years from the date of purchase against defect of work or materials, except for the electronic parts and the internal components such as ceramic cartridges, handworks, headworks and thermostatic cartridges which are guaranteed for a period of 2 years.